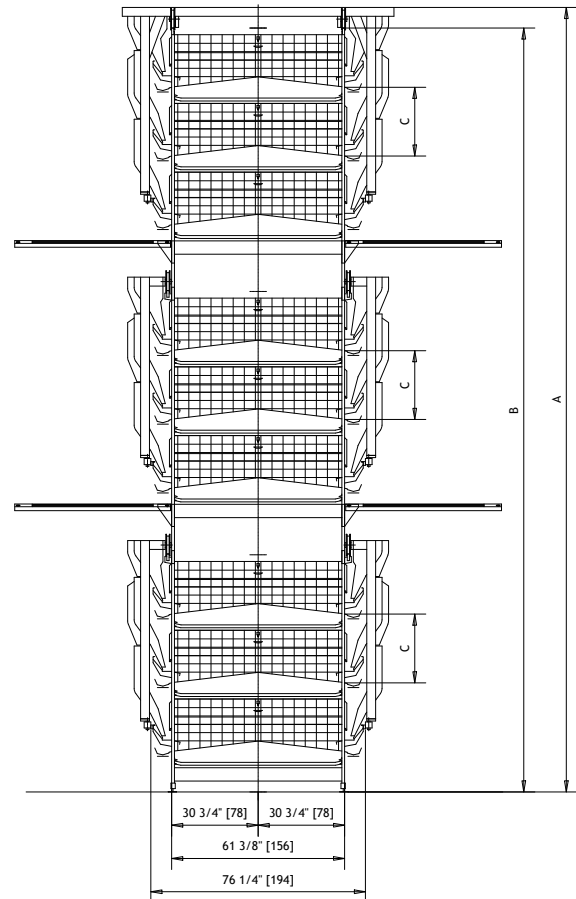
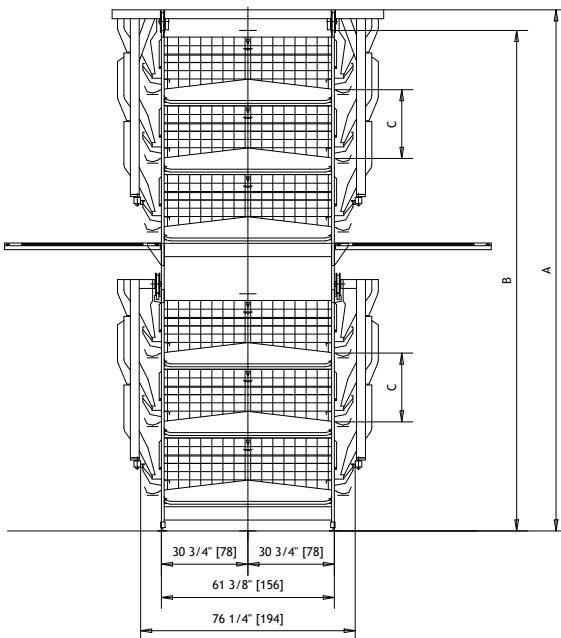
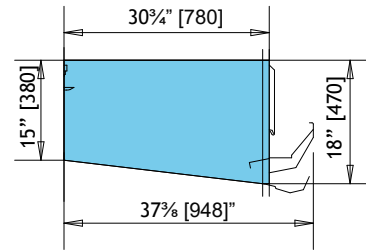
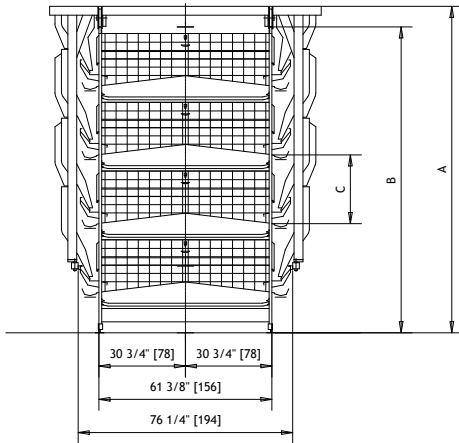


UNIVERSAL 78

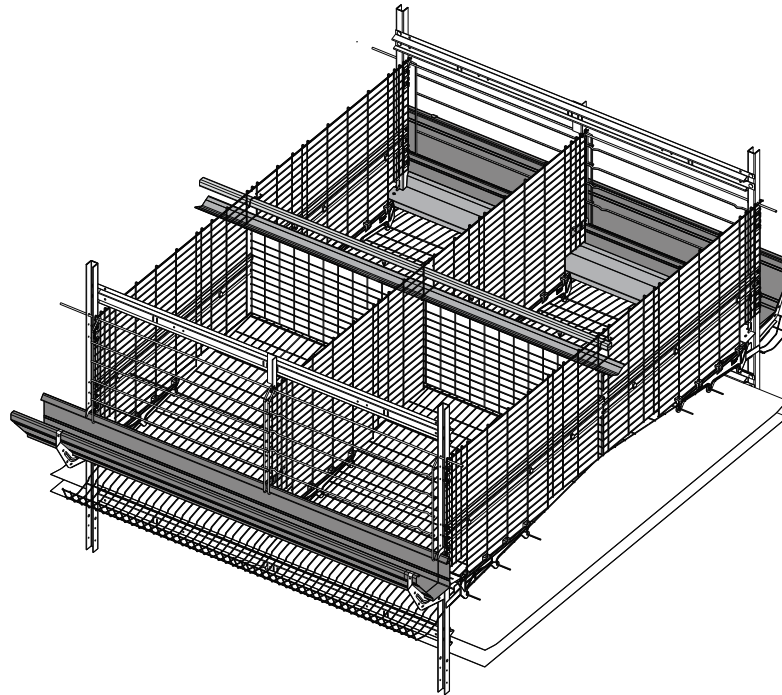
Conventional System for Layers



- A** = cages height with feeding **trolley**
- B** = cages height with **chain** feeding
- C** = tier distance:
 - 22 1/4" [620 mm] without drying manure system
 - 24 3/8" [640 mm] with drying manure system

UNIVERSAL 78

Conventional System



BOX DIMENSION
24" X 25 1/4" [61X78 CM]

UNIVERSAL 78	BATTERY HEIGHT			
	WITH DRYING SYSTEM		WITHOUT DRYING SYSTEM	
	Tier distance 24 3/8" [640mm] (C)		Tier distance 24 3/8" [620mm] (C)	
Width 65 1/2" [1935 mm]	FLAT CHAIN (B)	TROLLEY (A)	FLAT CHAIN (B)	TROLLEY (A)
3 Tiers	85,99 [2184]	93,31 [2370]	84,26 [2140]	91,54 [2325]
4 Tiers	111,19 [2824]	118,51 [3010]	108,67 [2760]	115,95 [2945]
5 Tiers	136,38 [3464]	143,71 [3650]	133,08 [3380]	140,36 [3565]
6 Tiers	161,58 [4104]	168,90 [4290]	157,49 [4000]	164,77 [4185]
7 Tiers	186,78 [4744]	194,10 [4930]	181,89 [4620]	189,18 [4805]
6 Tiers + walkway (3+3)	187,52 [4763]	194,89 [4950]	184,38 [4683]	191,74 [4870]
7 Tiers + walkway (4+3)	212,72 [5403]	220,08 [5590]	208,78 [5303]	216,15 [5490]
8 Tiers + walkway (4+4)	237,92 [6043]	245,28 [6230]	233,19 [5923]	240,56 [6110]
9 Tiers + walkway (5+4)	263,12 [6683]	270,48 [6870]	257,60 [6543]	264,97 [6730]
10 Tiers + walkway (5+5)	288,31 [7323]	295,67 [7510]	282,01 [7163]	289,38 [7350]
11 Tiers + walkway (6+5)	313,51 [7963]	320,87 [8150]	306,42 [7783]	313,78 [7970]
12 Tiers + walkway (6+6)	338,71 [8603]	346,07 [8790]	330,83 [8403]	338,19 [8590]
9 Tiers + 2 walkways (3+3+3)	277,45 [7047]	284,77 [7233]	269,18 [6837]	276,50 [7023]
10 Tiers + 2 walkways (4+3+3)	302,64 [7687]	309,97 [7873]	293,59 [7457]	300,91 [7643]
11 Tiers + 2 walkways (4+4+3)	327,84 [8327]	335,16 [8513]	318,00 [8077]	325,32 [8263]
12 Tiers + 2 walkways (4+4+4)	353,04 [8967]	360,36 [9153]	342,41 [8697]	349,73 [8883]



Scan the QR code
to find more.

Contact your Tecno representative or visit
poultryequipment.com for more information.