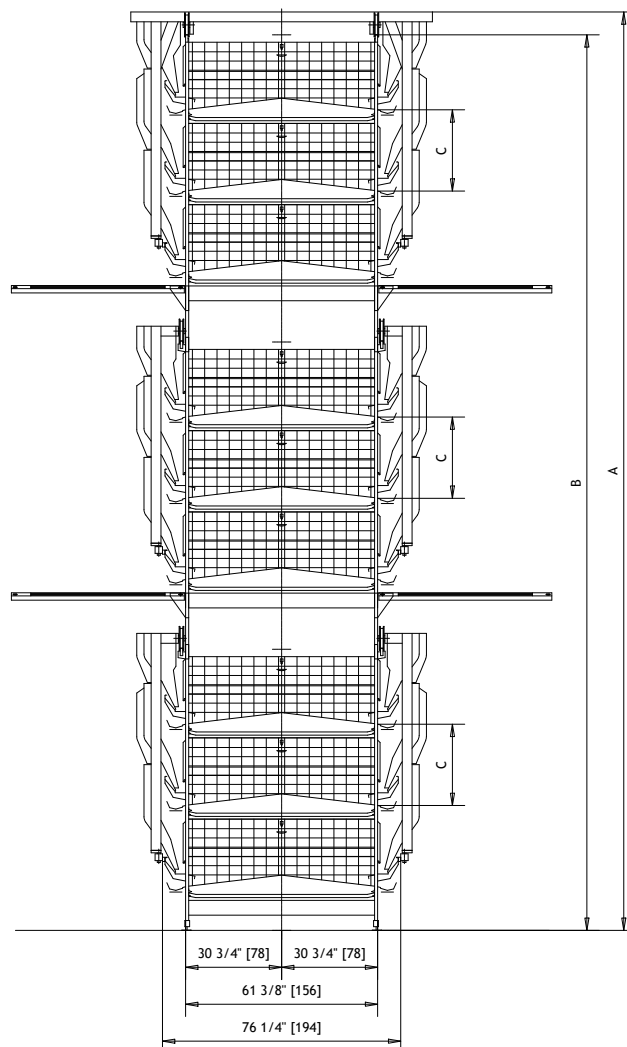
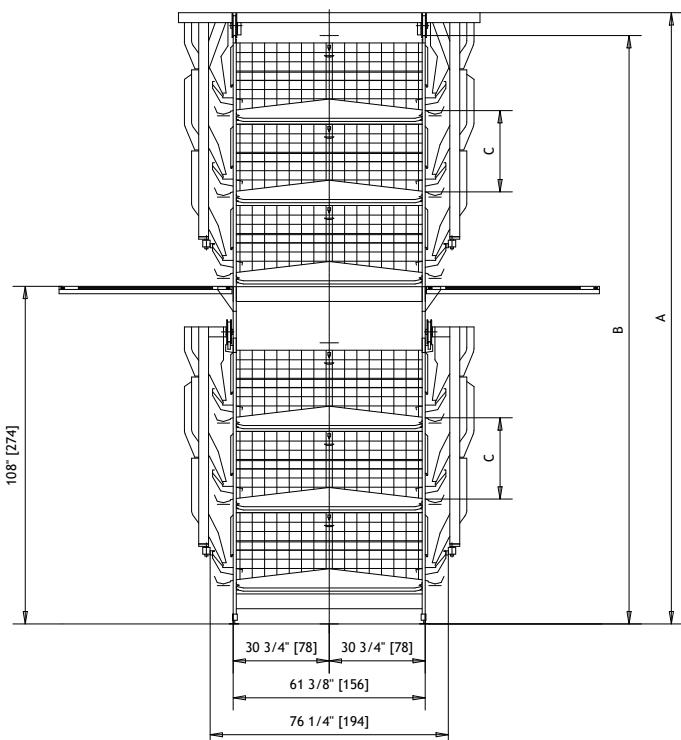
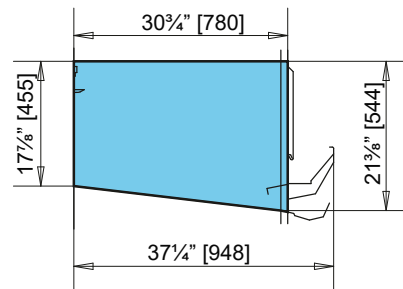
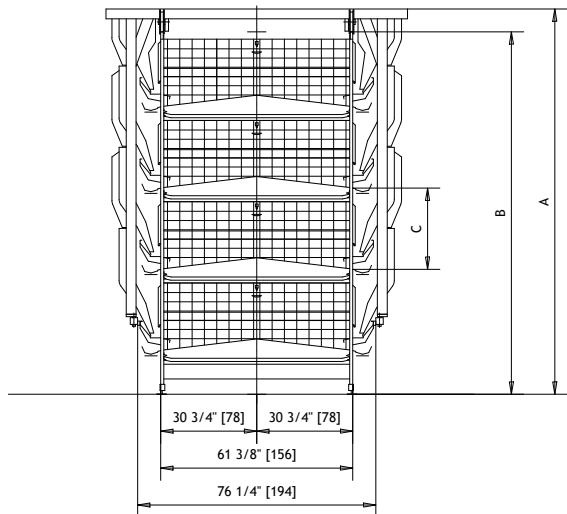


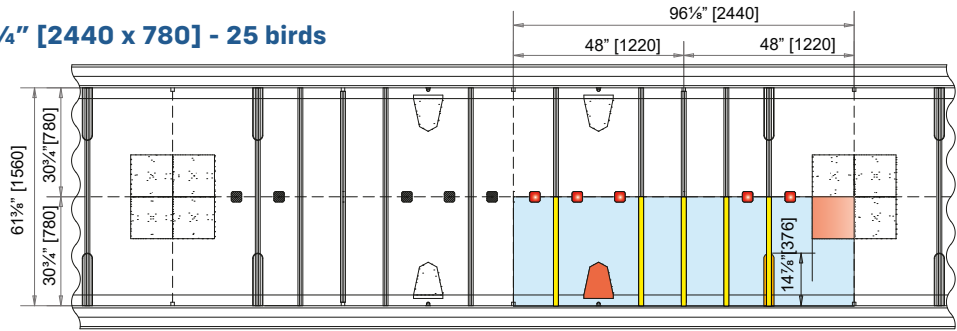
# PLUS 78

## Conventional System for Layers

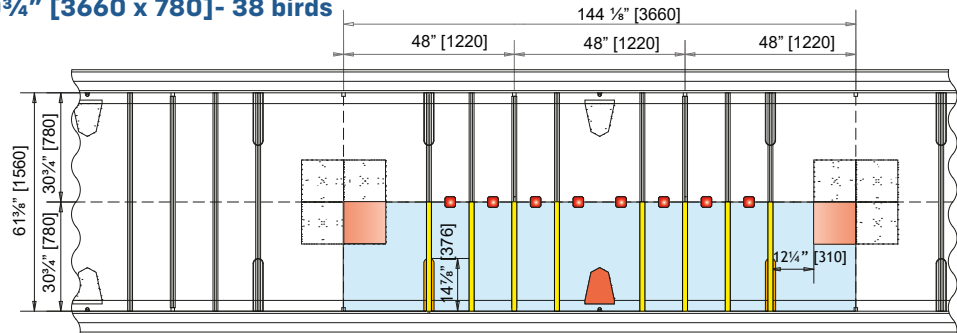


- A** = cages height with **feeding trolley**
- B** = cages height with **chain feeding**
- C** = tier distance:  
 26" [660 mm] without drying manure system  
 26" [700 mm] with drying manure system

**Box 96<sup>1</sup>/<sub>8</sub>" x 30<sup>3</sup>/<sub>4</sub>" [2440 x 780] - 25 birds**



**Box 144<sup>1</sup>/<sub>8</sub>" x 30<sup>3</sup>/<sub>4</sub>" [3660 x 780]- 38 birds**



- box surface
- nest bottom
- perches
- nipples
- scratching area

### BATTERY HEIGHT

PLUS 78	WITH DRYING SYSTEM		WITHOUT DRYING SYSTEM	
	Tier distance 27 <sup>1</sup> / <sub>2</sub> " [700mm] (C)		Tier distance 26" [660mm] (C)	
Width 76 <sup>1</sup> / <sub>8</sub> " [1935 mm]	FLAT CHAIN (B)	TROLLEY (A)	FLAT CHAIN (B)	TROLLEY (A)
3 Tiers	93,71 [2380]	100,99 [2565]	89,97 [2285]	97,25 [2470]
4 Tiers	121,26 [3080]	128,55 [3265]	115,95 [2945]	123,23 [3130]
5 Tiers	148,82 [3780]	156,11 [3965]	141,93 [3605]	149,22 [3790]
6 Tiers	176,38 [4480]	183,67 [4665]	167,92 [4265]	175,20 [4450]
7 Tiers	203,94 [5180]	211,23 [5365]	193,90 [4925]	201,19 [5110]
6 Tiers + walkway (3+3)	198,12 [5032]	205,32 [5215]	186,42 [4735]	193,71 [4920]
7 Tiers + walkway (4+3)	225,67 [5732]	232,88 [5915]	212,41 [5395]	219,69 [5580]
8 Tiers + walkway (4+4)	253,23 [6432]	260,44 [6615]	238,39 [6055]	245,67 [6240]
9 Tiers + walkway (5+4)	280,79 [7132]	288,00 [7315]	264,38 [6715]	271,66 [6900]
10 Tiers + walkway (5+5)	308,35 [7832]	315,56 [8015]	290,36 [7375]	297,64 [7560]
11 Tiers + walkway (6+5)	335,91 [8532]	343,12 [8715]	316,34 [8035]	323,63 [8220]
12 Tiers + walkway (6+6)	363,47 [9232]	370,67 [9415]	342,33 [8695]	349,61 [8880]
9 Tiers + 2walkways (3+3+3)	298,90 [7592]	306,23 [7778]	283,55 [7202]	290,87 [7388]
10 Tiers + 2 walkways (4+3+3)	338,27 [8592]	333,78 [8478]	309,53 [7862]	316,86 [8048]
11 Tiers + 2 walkways (4+4+3)	354,02 [8992]	361,34 [9178]	335,52 [8522]	342,84 [8708]
12 Tiers + 2 walkways (4+4+4)	381,58 [9692]	388,90 [9878]	361,50 [9182]	368,82 [9368]



Scan the QR code to find more.

Contact your Tecno representative or visit [poultryequipment.com](http://poultryequipment.com) for more information.